



Available as Whirlpools or Non-jetted Soaking Baths



Invigorating Whirlpool Baths

Relaxing, refreshing and energizing. The pulsating therapeutic massage eases the cares of the day and creates a refreshing new attitude.

High-flow adjustable jets enable each individual jet to be directed to any position so you determine the intensity of the massage you desire.

Construction

PROFLO PLUS whirlpools are constructed of the highest-grade cast Lucite® acrylic and reinforcement composites available. The plumbing system utilizes high-pressure air and waterway tubing, and each joint is solvent welded.



Non-jetted Soaking Baths

All PROFLO PLUS bath styles are available in non-jetted soaking baths. Spacious bathing wells with textured, slip-resistance bottoms provide safety and luxury while softly sculpted edges and corners add subtle sophistication to bathing sanctuaries.

Warranty and Codes

PROFLO PLUS products have complete installation, maintenance, and care and cleaning instructions. They feature a 5-year limited warranty. These products meet or exceed ANSI Z124.1-1995, ASME A112, and 19.7-M-1995, UL 1795.

In an effort to continually improve our products, Ferguson will make design changes from time to time. We reserve the right to ship newly designed product to fill any order unless we agree in writing to do otherwise.



PLUS A WHIRLPOOLS
SOAKING TUBS



STYLE · QUALITY · VALUE



PROFLO PLUS bathing products offer your customers stylish bathing at an outstanding value. Affordable, fashionable, quality-engineered and trouble-free, they have quickly become the bathing products of choice. All PROFLO PLUS units are quality checked and water tested prior to delivery.



Cast Lucite® Acrylic Construction
PROFLO PLUS baths are constructed of cast Lucite® acrylic, a technologically advanced material known for its high gloss, easy maintenance, stain and scratch resistance and durability. It's the perfect material for today's baths.



High-Flow Adjustable Jets
Color matched, high-flow adjustable jets are standard on all PROFLO PLUS whirlpool baths. You can adjust the power and flow of each individual jet to control the intensity of the massage.

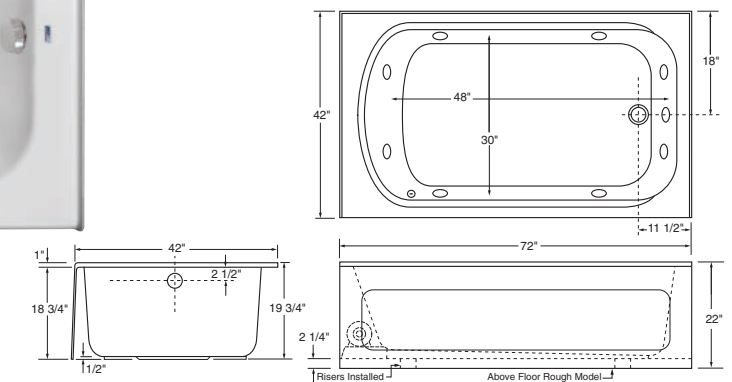
AND SOAKING BATHS

- Silent air induction
- Available as whirlpool or soaking tub
- Available in white and biscuit
- Removable access panel on whirlpools
- Integral tile flange

PFW7242(L or R)SK
PFS7242(L or R)SK
PFW7236(L or R)SK
PFS7236(L or R)SK

GENERAL SPECIFICATIONS 7242

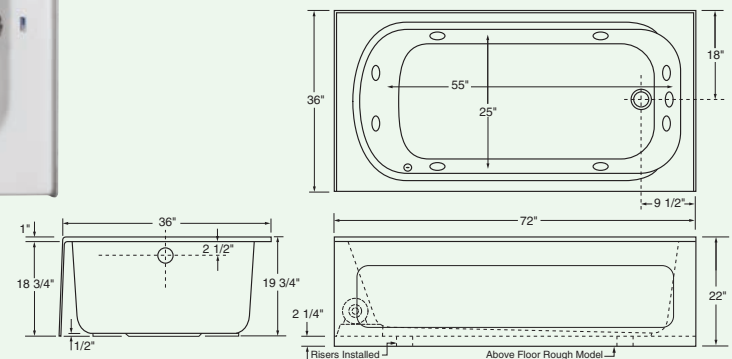
- 72" length
- 42" width
- 19-3/4" height
- 55 gallon operating capacity
- 80 gallon total capacity to overflow
- 8 jets



Skirted baths can be ordered as above floor rough models with factory-installed 2-1/4" risers if required.

GENERAL SPECIFICATIONS 7236

- 72" length
- 36" width
- 19-3/4" height
- 50 gallon operating capacity
- 70 gallon total capacity to overflow
- 8 jets



Skirted baths can be ordered as above floor rough models with factory-installed 2-1/4" risers if required.

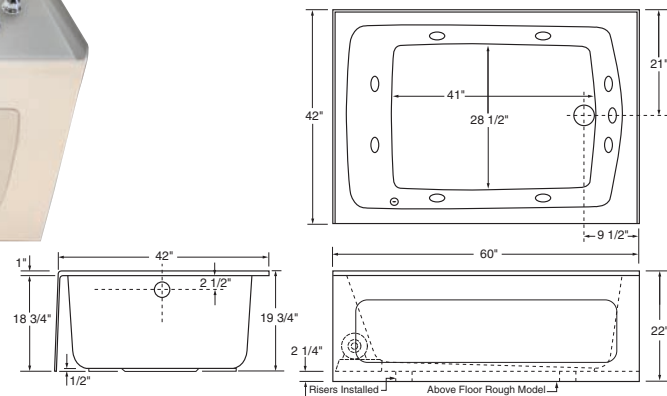
PFW6042(L or R)SK
 PFS6042(L or R)SK
 PFW6636(L or R)SK
 PFS6636(L or R)SK

SKIRTED WHIRLPOOLS

- Electronic on/off switch
- Textured, slip-resistant bottom
- Adjustable, color matched hydro jets, including two lumbar jets
- Powerful 7.8 amp motor
- Cast acrylic
- Safety suction
- Heater blank

GENERAL SPECIFICATIONS 6042

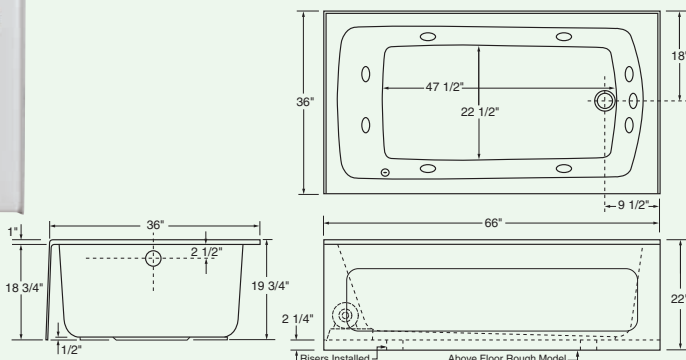
- 60" length
- 42" width
- 19-3/4" height
- 55 gallon operating capacity
- 75 gallon total capacity to overflow
- 8 jets



Skirted baths can be ordered as above floor rough models with factory-installed 2-1/4" risers if required.

GENERAL SPECIFICATIONS 6636

- 66" length
- 36" width
- 19-3/4" height
- 40 gallon operating capacity
- 60 gallon total capacity to overflow
- 8 jets



Skirted baths can be ordered as above floor rough models with factory-installed 2-1/4" risers if required.

NOTE: All dimensions and specifications are nominal and may vary ± 1/4". Use actual products for accuracy in critical situations. All whirlpools require a single 115V/20 amp GFCI circuit.



Powerful Pump Motors

A powerful 7.8 amp motor is standard on all PROFLO PLUS whirlpool baths. The pump motor is pre-wired and pre-plumbed for simple plug-in installation. Requires a single 115V/20 amp GFCI circuit.



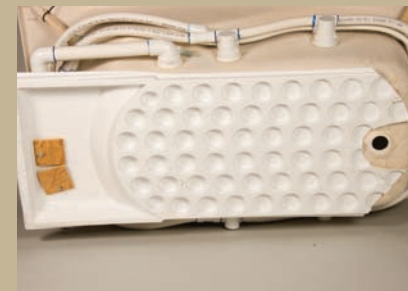
Safety Suction Trim Cover

This stylish strainer prevents foreign objects from entering the whirlpool system.



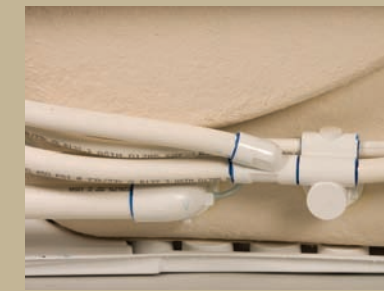
Pump Relocation

Pumps on most PROFLO PLUS products can be relocated for special situations, but this feature is not available on all models. Please check with your PROFLO PLUS representative.



Pre-leveled Bases

The PROFLO PLUS pre-leveling platform simplifies installation, reduces weight and assures a level installation and structural integrity when used with setting compound. Base is an integral part of tub construction.



Water Tested Plumbing

Each joint is solvent welded and water tested prior to delivery for long-term reliability.



Silent Warm Air Induction

Our method of silently inducing warm air from the pump to the adjustable therapy jets offers a more comfortable massage.



Factory Installed Heater Blank

This factory installed heater blank allows for fast and easy field installation of an in-line heater.



Electronic On/Off Switch

The low-profile switch establishes a relaxing mood.



Removable Access Panel

Removable access panel exposes 74% of the total skirt area for easy access. Only applicable for whirlpool skirted models.

PFW6036PLUSA
PFS6036A

PFW6032PLUSA
PFS6032A

- Electronic on/off switch
- Textured, slip-resistant bottom
- Adjustable, color matched hydro jets, including two lumbar jets
- Powerful 7.8 amp motor
- Pre-leveled co-ex base

AND SOAKING BATHS

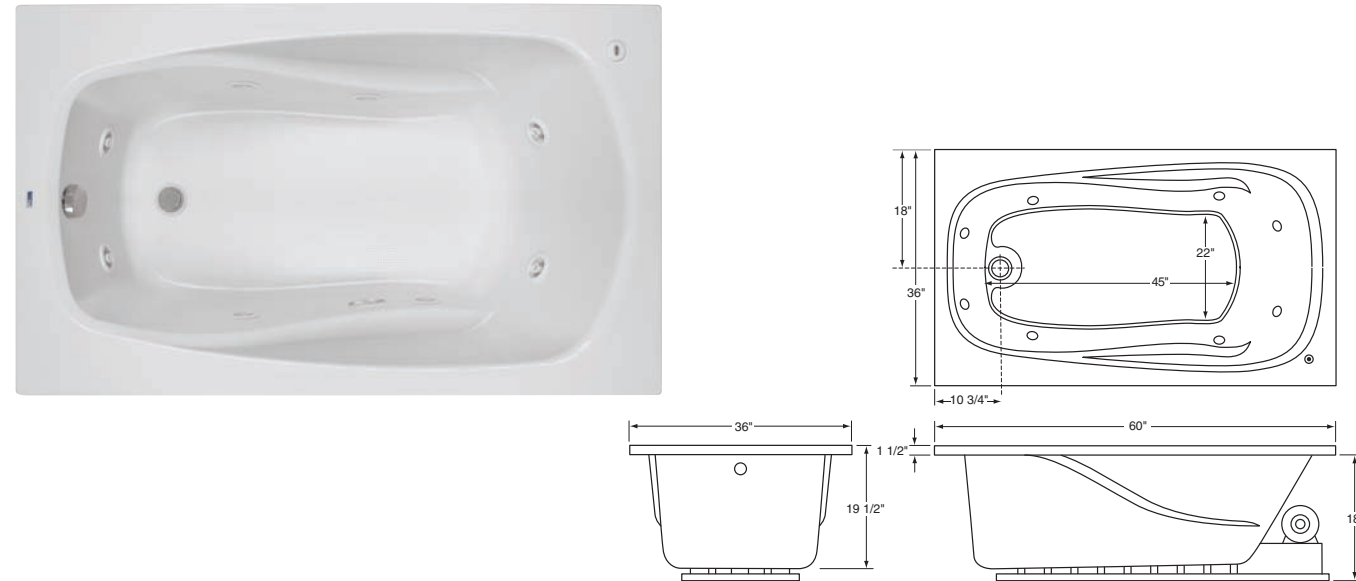
- Silent air induction
- Available as whirlpool or soaking tub
- Available in white and biscuit
- Removable access panel on whirlpools
- Integral tile flange

PFW6036(L or R)SK
PFS6036(L or R)SK

PFW6032(L or R)SK
PFS6032(L or R)SK

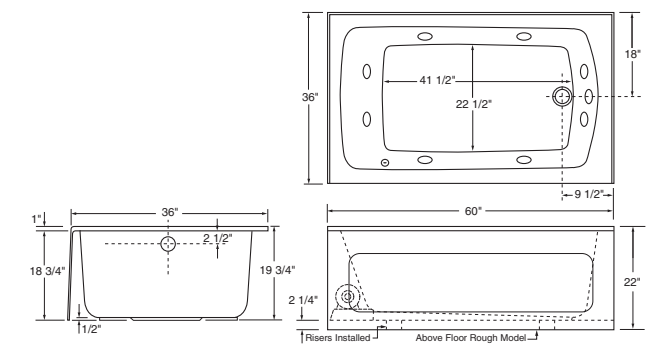
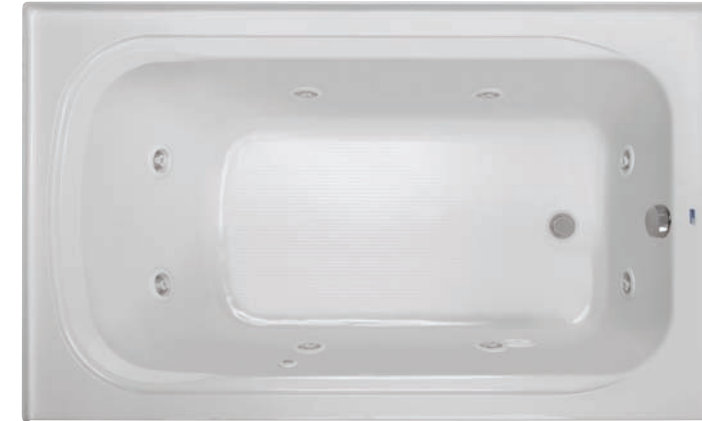
GENERAL SPECIFICATIONS 6036

- 60" length
- 36" width
- 19-1/2" height
- 45 gallon operating capacity
- 60 gallon total capacity to overflow
- 8 jets



GENERAL SPECIFICATIONS 6036

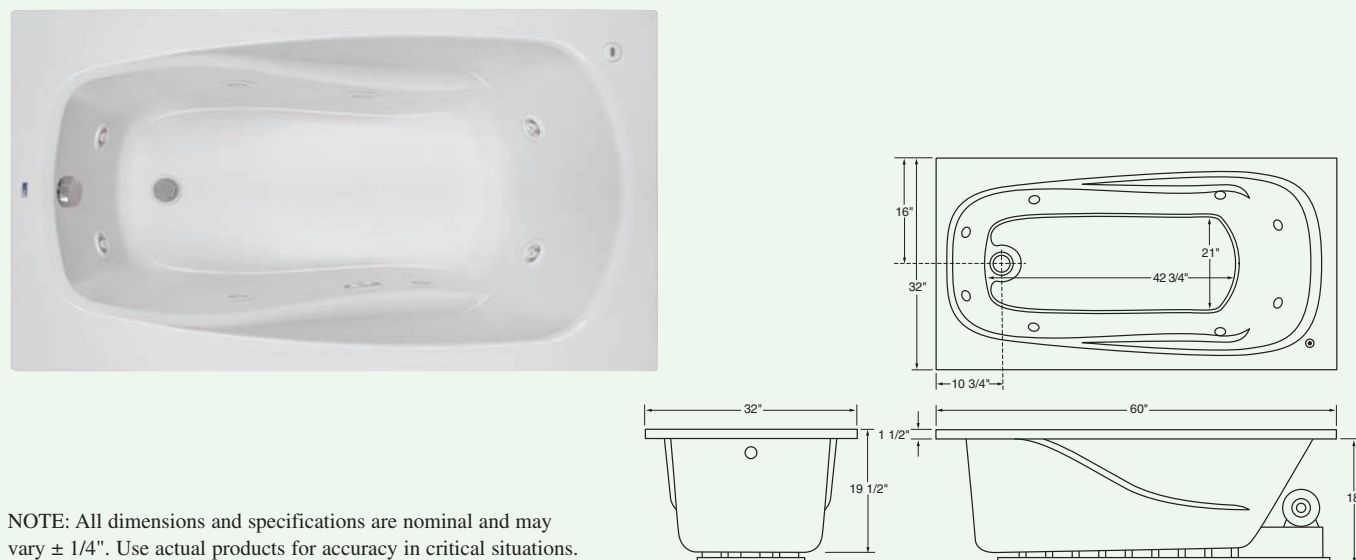
- 60" length
- 36" width
- 19-3/4" height
- 40 gallon operating capacity
- 60 gallon total capacity to overflow
- 8 jets



Skirted baths can be ordered as above floor rough models with factory-installed 2-1/4" risers if required.

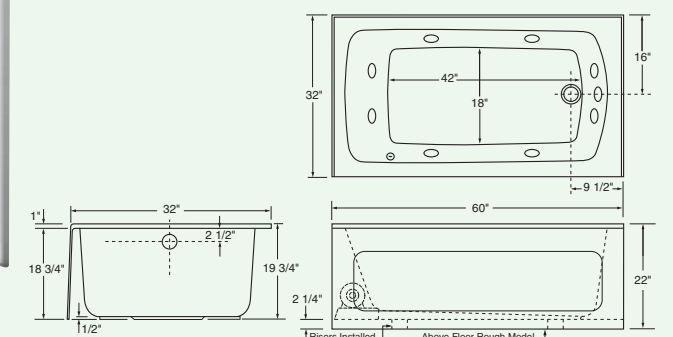
GENERAL SPECIFICATIONS 6032

- 60" length
- 32" width
- 19-1/2" height
- 40 gallon operating capacity
- 50 gallon total capacity to overflow
- 8 jets



GENERAL SPECIFICATIONS 6032

- 60" length
- 32" width
- 19-3/4" height
- 40 gallon operating capacity
- 45 gallon total capacity to overflow
- 8 jets



Skirted baths can be ordered as above floor rough models with factory-installed 2-1/4" risers if required.

NOTE: All dimensions and specifications are nominal and may vary $\pm 1/4"$. Use actual products for accuracy in critical situations. All whirlpools require a single 115V/20 amp GFCI circuit.

**PFW6060SKPLUS
PFS6060SK**

SKIRTED WHIRLPOOLS

- Electronic on/off switch
- Textured, slip-resistant bottom
- Adjustable, color matched hydro jets, including two lumbar jets
- Powerful 7.8 amp motor
- Cast acrylic
- Safety suction
- Heater blank

- Cast acrylic
- Safety suction
- Heater blank
- Silent air induction
- Available as whirlpool or soaking tub
- Available in white and biscuit

**PFW7242PLUSA
PFS7242A**

**PFW7236PLUSA
PFS7236A**

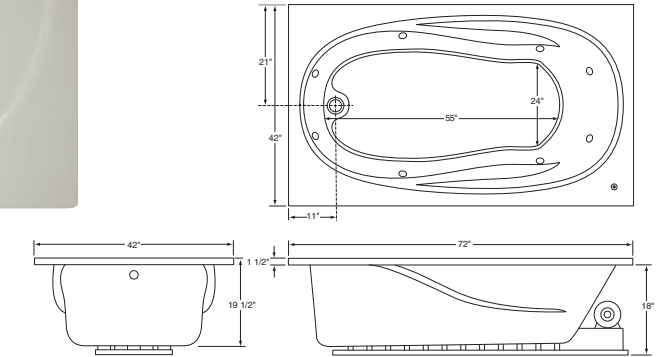
PROFLO PLUS Skirted Bath Collection

The PROFLO PLUS skirted bath collection features spacious bathing wells with textured, slip-resistance bottoms for safety, and softly sculpted edges for luxury and sophistication. These fashionable baths are very competitive with standard gelcoat baths and the integral molded skirt eliminates the need for tiling or other carpentry work.



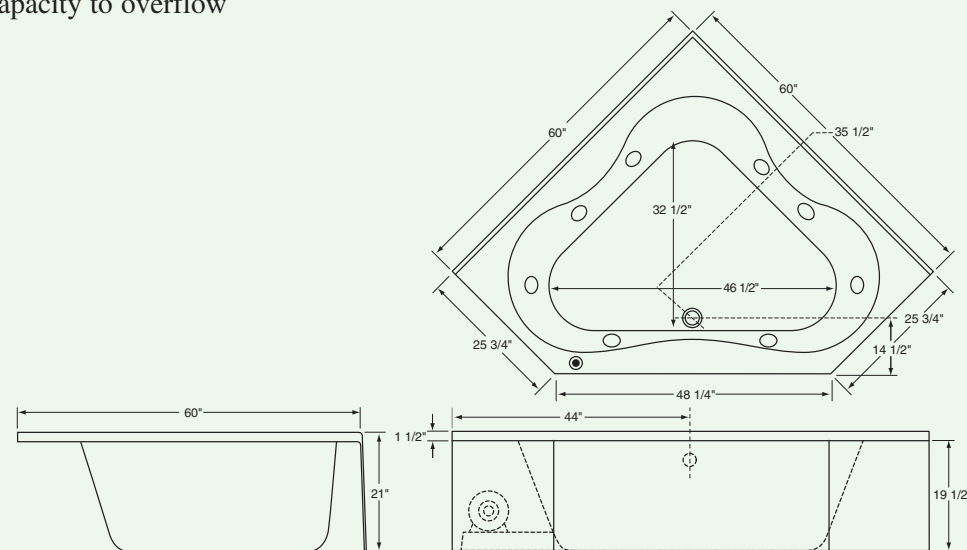
GENERAL SPECIFICATIONS 7242

- 72" length
- 42" width
- 19-1/2" height
- 55 gallon operating capacity
- 80 gallon total capacity to overflow
- 8 jets



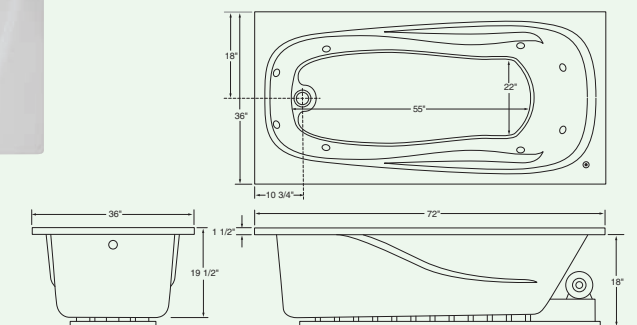
GENERAL SPECIFICATIONS 6060

- 60" length
- 60" width
- 21" height
- 60 gallon operating capacity
- 94 gallon total capacity to overflow
- 8 jets
- Left-hand pump



GENERAL SPECIFICATIONS 7236

- 72" length
- 36" width
- 19-1/2" height
- 50 gallon operating capacity
- 70 gallon total capacity to overflow
- 8 jets



NOTE: All dimensions and specifications are nominal and may vary ± 1/4". Use actual products for accuracy in critical situations. All whirlpools require a single 115V/20 amp GFCI circuit.

**PFW6060(L or R)PLUS
PFS6060**

**PFW6042PLUSA
PFS6042A**

- Electronic on/off switch
- Textured, slip-resistant bottom
- Adjustable, color matched hydro jets, including two lumbar jets
- Powerful 7.8 amp motor
- Pre-leveled co-ex base

GENERAL SPECIFICATIONS 6060

- 60" length
- 60" width
- 21" height
- 72 gallon operating capacity
- 109 gallon total capacity to overflow
- 8 jets



**PFW7040PLUS
PFS7040**

**PFW5838PLUS
PFS5838**

- Cast acrylic
- Safety suction
- Heater blank
- Silent air induction
- Available as whirlpool or soaking tub
- Available in white and biscuit

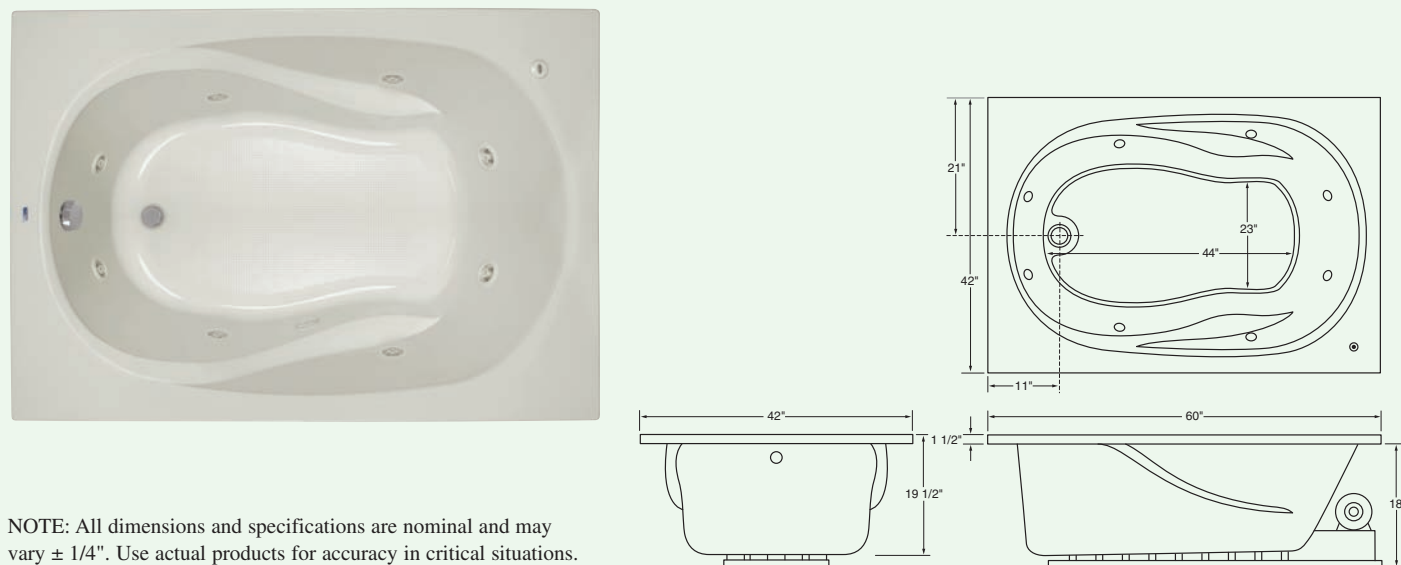
GENERAL SPECIFICATIONS 7040

- 70" length
- 40" width
- 20-1/2" height
- 50 gallon operating capacity
- 75 gallon total capacity to overflow
- 6 jets



GENERAL SPECIFICATIONS 6042

- 60" length
- 42" width
- 19-1/2" height
- 45 gallon operating capacity
- 60 gallon total capacity to overflow
- 8 jets



GENERAL SPECIFICATIONS 5838

- 58" length
- 38" width
- 20-1/2" height
- 40 gallon operating capacity
- 50 gallon total capacity to overflow
- 6 jets



NOTE: All dimensions and specifications are nominal and may vary ± 1/4". Use actual products for accuracy in critical situations. All whirlpools require a single 115V/20 amp GFCI circuit.